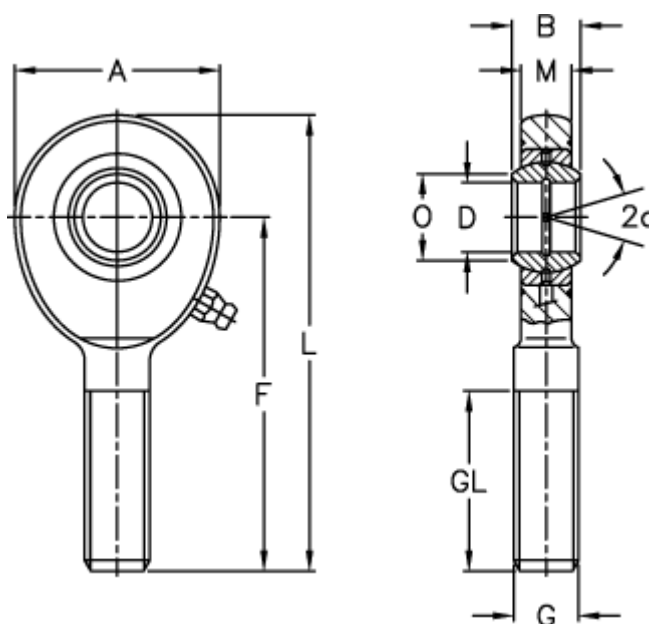


Article number: 03482020

Description: Fluro Rod end EAL 20

Note: 20

Measures



A	= 53	L	= 104.5
a (degrees)	= 9	M	= 13
B	= 16	O	= 24.2
D	= 20	Static drive kN	= 62.5
Dynamic drive (kN)	= 30	Weight	= 320
F	= 78		
g	= M20x1,5		
GL	= 43		